

Air Riveters

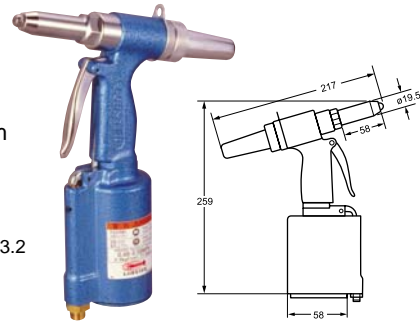
Our long-selling riveters, strong and are hard to break

AR-011S

Riveting Capacity 2.4 3.2

Compact and lightweight, enables efficient, speedy work. This model is appropriate for those who normally work with 3.2 mm diameter or smaller blind rivets.

Note: Cannot be used with 3.2 stainless steel blind rivets.



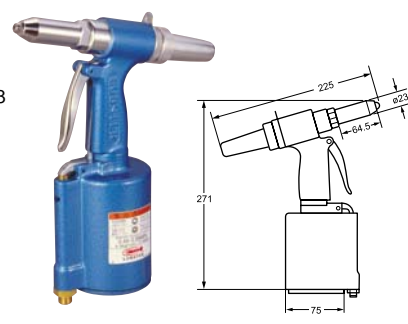
Basic types

AR-011M

Riveting Capacity 2.4 3.2 4.0 4.8

Standard model, excellent durability, long seller.

Note: Cannot be used with 4.8 stainless steel blind rivets.

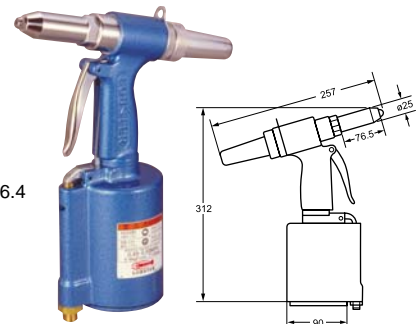


AR-011H

Riveting Capacity 2.4 3.2 4.0 4.8 6.4

This model is appropriate for those who normally work with blind rivets with a diameter between 4.8 to 6.4 mm.

Note: Cannot be used with 6.4 stainless steel blind rivets.

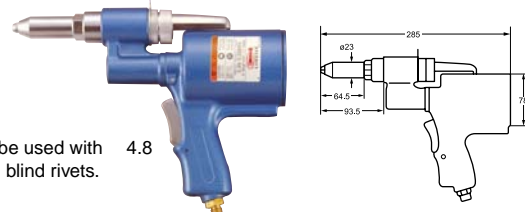


AR-011P

Riveting Capacity 2.4 3.2 4.0 4.8

Our best seller, born in Japan and raised in the U.S., its novel design and balanced grip is a favorite especially among female workers.

Note: Cannot be used with 4.8 stainless steel blind rivets.



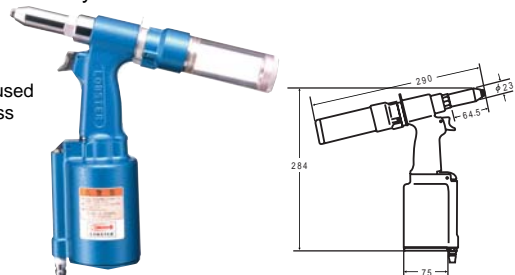
ARV-011M

With integrated vacuum system

Riveting Capacity 2.4 3.2 4.0 4.8

Standard model, excellent durability, with integrated vacuum system.

Note: Cannot be used with 4.8 stainless steel blind rivets.



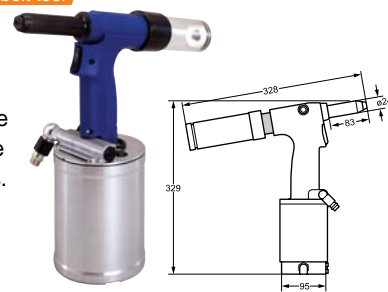
AR-3000EV

With integrated vacuum system

Riveting Capacity 4.8 6.4 S-bolt tool

Increases work efficiency through its light weight and highly refined riveting speed. Its high power and long stroke makes this model appropriate for S-bolt and long type rivets.

S-bolt tool Can be used if optional parts (sold separately) are attached. (P.36, Table.2)



Air Riveters

AR-021M · AR-021M-RJ

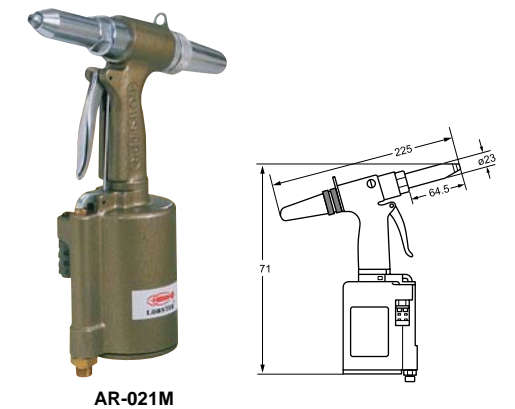
Riveting Capacity 2.4 3.2 4.0 4.8

AR-021M

- Soft-Set® shockless technology offers ergonomically correct action to minimize risk of CTDs (cumulative trauma disorders).
- Ultra jaws for longer jaw life
- Lightweight
- Noise-reducing muffler
- Heavy duty diecast construction
- Wear-resistant surfaces extend tool life

AR-021M-RJ

- Same features as AR-021M, plus
- 360° rotary air joint allows for vertical placement on work station



AR-021H · AR-021H-RJ

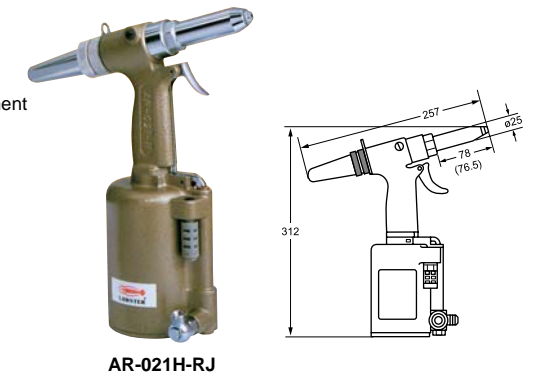
Riveting Capacity 2.4 3.2 4.0 4.8 6.4

AR-021H

- Soft-Set® shockless technology offers ergonomically correct action to minimize risk of CTDs (cumulative trauma disorders).
- Ultra jaws for longer jaw life
- Lightweight
- Noise-reducing muffler
- Heavy duty diecast construction
- Wear-resistant surfaces extend tool life
- One of the world's most versatile riveters - sets all five rivet sizes

AR-021H-RJ

- Same features as AR-021H, plus
- 360° rotary air joint allows for vertical placement on work station



AR-021EX · AR-021EXH

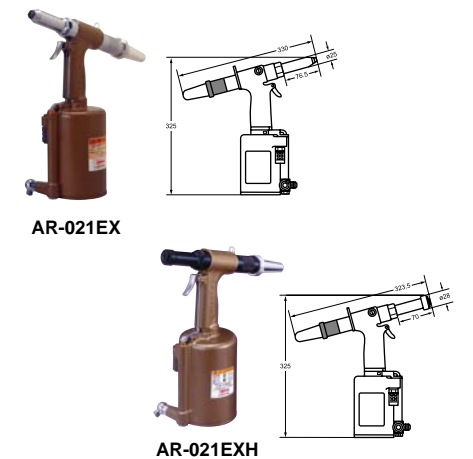
Riveting Capacity 4.8 6.4 S-bolt tool

AR-021EX

- Soft-Set® shockless technology offers ergonomically correct action to minimize risk of CTDs (cumulative trauma disorders).
- Ultra jaws for longer jaw life
- Sets 3/16" and 1/4" Monobolt® structural rivets. "T" rivets and standard rivets - all nosepieces included with tool.
- Heavy duty construction for rugged applications
- 360° rotary air joint
- Noise-reducing muffler

AR-021EXH

- Soft-Set® shockless technology offers ergonomically correct action to minimize risk of CTDs (cumulative trauma disorders).
- Designed specifically for 1/4" Magna-Lok® structural rivets
- Over 3700 lbs. Traction power
- Heavy duty construction for rugged applications
- 360° rotary air joint
- Noise-reducing muffler



S-bolt tool Can be used if optional parts (sold separately) are attached. (P.36, Table.2)

NOSE PIECE

AR-011S · AR-011M
ARV-011M · AR-011P

AR-011H

AR-011H

AR-3000EV

MODEL	Riveting Capacity mm					Traction Power N(kgf)	Stroke mm	Working Air Pressure MPa(kgf/cm ²)	Air Consumption	Weight kg	Jaws
	2.4	3.2	4.0	4.8	6.4						
AR-011S	○	△	—	—	—	2,942(300)	14.0	0.49~0.59 (5.0~6.0)	0.6 L/rivet	1.2	S
AR-011M	○	○	○	△	—	7,845(800)	14.0		1.5	1.5	M
AR-011H	○	○	○	○	△	12,259(1,250)	16.0		2.9	2.1	M, H
AR-011P	○	○	○	△	—	7,845(800)	13.0		1.5	1.5	M
* : Cannot be used with stainless steel rivets.											
With integrated vacuum system											
MODEL	Riveting Capacity mm					Traction Power N(kgf)	Stroke mm	Working Air Pressure MPa(kgf/cm ²)	Air Consumption	Weight kg	Jaws
	2.4	3.2	4.0	4.8	6.4						
ARV-011M	○	○	○	—	—	7,845 (800)	14.0	0.49 ~ 0.59 (5.0 ~ 6.0)	100 L/min	1.7	M
AR-3000EV	—	—	—	○	○	15,200 (1,550)	24.0	0.51 ~ 0.64 (5.5 ~ 6.5)	90 L/min	1.4	H Ultra

NOSE PIECE

AR-021M · AR-021M-RJ

AR-021H · AR-021H-RJ

AR-021EX

AR-021EXH

Model	Riveting Capacity mm					Traction Power N(kgf)	Stroke mm	Working Air Pressure MPa(kgf/cm ²)	Air Consumption	Weight kg	Jaws
	2.4	3.2	4.0	4.8	6.4						
AR-021M	○	○	○	○	—	8,336 (850)	14.0	0.49~0.59 (5.0~6.0)	1.5 L/rivet	1.5	M Ultra
AR-021M-RJ	○	○	○	○	—	13,730 (1400)	16.5				
AR-021H	○	○	○	○	○	14,220 (1450)	26.0	0.59~0.64 (6.0~6.5)	2.9	2.1	M, H Ultra
AR-021H-RJ	○	○	○	○	○						
AR-021EX	—	—	—	○	○	16,637 (1700)	22.0	4.6	2.9	H Ultra	
AR-021EXH	—	—	—	○	○						