

POP[®]

POP NUT[™] Tool

PNT1000L-PC

Maintenance Manual



上海微宇电子科技有限公司

Shanghai Huiyu Electronic Technology Co., Ltd.

Contents

Introduction.....	3
Safety Instructions.....	4
Specifications	5
Tool Parts.....	6
Packaged Accessories.....	6
PNT1000L-PC Diagram	8
Parts List	10
Tool Setup	12
Mandrel and Nosepiece installation	13
Basic Tool Operation	14
Mandrel & Nosepiece Adjustment.....	14
Setting Force Valve Spring Selection.....	15
Tool Operation	16
Setting Force Adjustment	18
Adjustment for Standard POP NUTs™.....	18
Adjustment for ST & Thin Wall POP NUTs™	19
Adjustment of Setting Force.....	19
Maintenance.....	21
Clean & Lube Mandrel	21
Lubricate Rotating Parts	21
Recharging Hydraulics.....	22
Troubleshooting.....	24
Safety Data.....	26
EC Declaration of Conformity.....	27

Introduction

The PNT1000L-PC is a lightweight tool for installing POP® brand POP NUT™ blind rivet nuts and other blind threaded inserts by adjusting the *setting force* to the insert being installed rather than stroke like traditional blind rivet nut tools. Controlling the setting force has the following benefits:

- No stroke adjustment is needed for the same nut in multiple application grips.
- Eliminated application & nut damage due to “double stroking”.
- Proper set achieved even with a small gap between the nut flange and Nosepiece.

Table 1 lists the POP NUT™ blind rivet nuts that can be fastened using this tool. The Nosepiece and Mandrel must be changed to fit some sizes of POP NUT™. (See Table 5, *Mandrel and Nosepiece Requirements* table in the *Specification* section)

Table 1: POP NUT™ blind rivet nut range

Thread Size	Material			
	Aluminum	Steel	Steel RLT	Stainless
M6X1.0 1/4-20		✓	✓	✓
M8X1.25 5/16-18	✓	✓	✓	✓
M10X1.5 3/8-16	✓	✓		✓*
M12X1.75 1/2-13		✓*		

* Need to set tool at 0.55 MPa [80 psi] Minimum.



Safety Instructions



TO INSURE PROPER FUNCTIONING AND SAFE OPERATION READ THIS MANUAL CAREFULLY BEFORE SETTING UP OR OPERATING THE **POP NUT** SERIES TOOLS

DEFINITIONS:

- **CAUTION!** – Failure to observe this precaution could result in physical damage or minor injury.
- **WARNING!** – Failure to observe this precaution could result in physical damage, serious injury or even death.

CAUTION!

1. DO NOT use this tool in a manner other than that recommended by Emhart Teknologies.
2. DO NOT modify the tool in any way. Modification will void any applicable warranties and could result in damage to the tool or physical injury to the user.
3. Disconnect air supply when adjusting, servicing or removing any part of the tool.
4. Trained personnel must perform tool repair and/or maintenance at prescribed intervals.
5. Only use genuine Emhart Teknologies parts for tool maintenance and repair.
6. Do not operate the tool with the Nose Housing removed.
7. Keep fingers away from the front of the tool when connecting the air supply or using the tool.
8. Do not attempt to turn the Mandrel when the air supply is connected.
9. Keep hair, fingers and loose clothing away from moving parts of the tool.
10. Do not direct tool exhaust towards anyone. The tool uses lubricated air and may eject oil mist or debris.
11. Do not use organic solvents to clean the tool, this may damage the tool.
12. Wash hands thoroughly if exposed to hydraulic fluid or lubricant.

WARNING!

1. DO NOT exceed the maximum recommended air pressure of 0.6 MPa (87 psi / 6.0 bar).
2. DO NOT point the tool at anyone when in use.
3. Always wear safety rated eye protection when using or when near a tool in use.
4. Always wear safety rated hearing protection when using or when near a tool in use.
5. Inspect the tool and connections for damage, worn or loose parts before connecting to the air supply. If damaged, stop use immediately and have the tool repaired or replaced.
6. This tool is not designed for use in explosive atmospheres.

Specifications

Table 2: Tool Specifications

Feature	Specification
Weight	2.77 kg (6.11 lbs)
Overall length	315 mm (12.4 in)
Overall height	295 mm (11.6 in)
Tool Stroke	1.3 – 10.5 mm (0.05 – 0.413 in)
Pulling Force	24.3 kN @ 5.0 bar (5463 lbf @ 72.5 psi)
Air Supply	0.5 – 0.6Mpa (5 – 6 bar) (72.5 – 87 psi)
Hydraulic Oil	See Table 3, <i>Specified Hydraulic Oils</i>
Setting capacity	See Table 1, <i>POP NUT™ blind rivet nut range</i>
Tool Noise Level*	$L_{Aeq,T} = 80.3 \text{ dB(A)}$, $L_{WA} = 88 \text{ dB(A)}$, $L_{Peak} = 106.8 \text{ dB(C)}$
Tool Vibration Level	0.40 m/s^2 , Time to $2.5 \text{ m/s}^2 > 24\text{hrs}$ (EAV)

*Emhart recommends the use of hearing protection when operating this tool

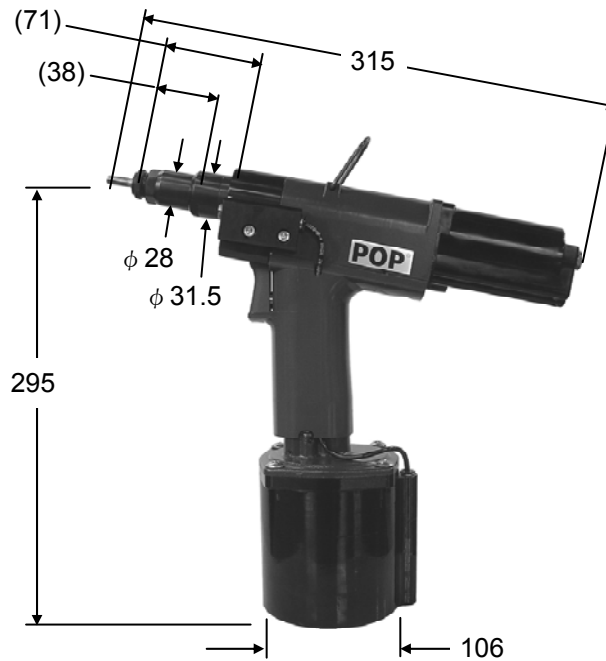


Figure 1: Tool Dimensions (mm)

Hydraulic oil

Use only Emhart Teknologies specified hydraulic lubrication oils as shown in Table 3. Use of any other oil could reduce the tool performance or even damage the tool.

Table 3: Specified Hydraulic Oils

Company name	Product name
Mobile	Mobile DTE26
Shell	Shell Telus Oil C68
Idemitsu	Daphne Hydro 68A
Cosmo	Cosmo Olpas 68
Esso	Telesso 68
Nisseki	FBK RO68
Mitsubishi	Diamond Lube RO68 (N)

Tool Parts

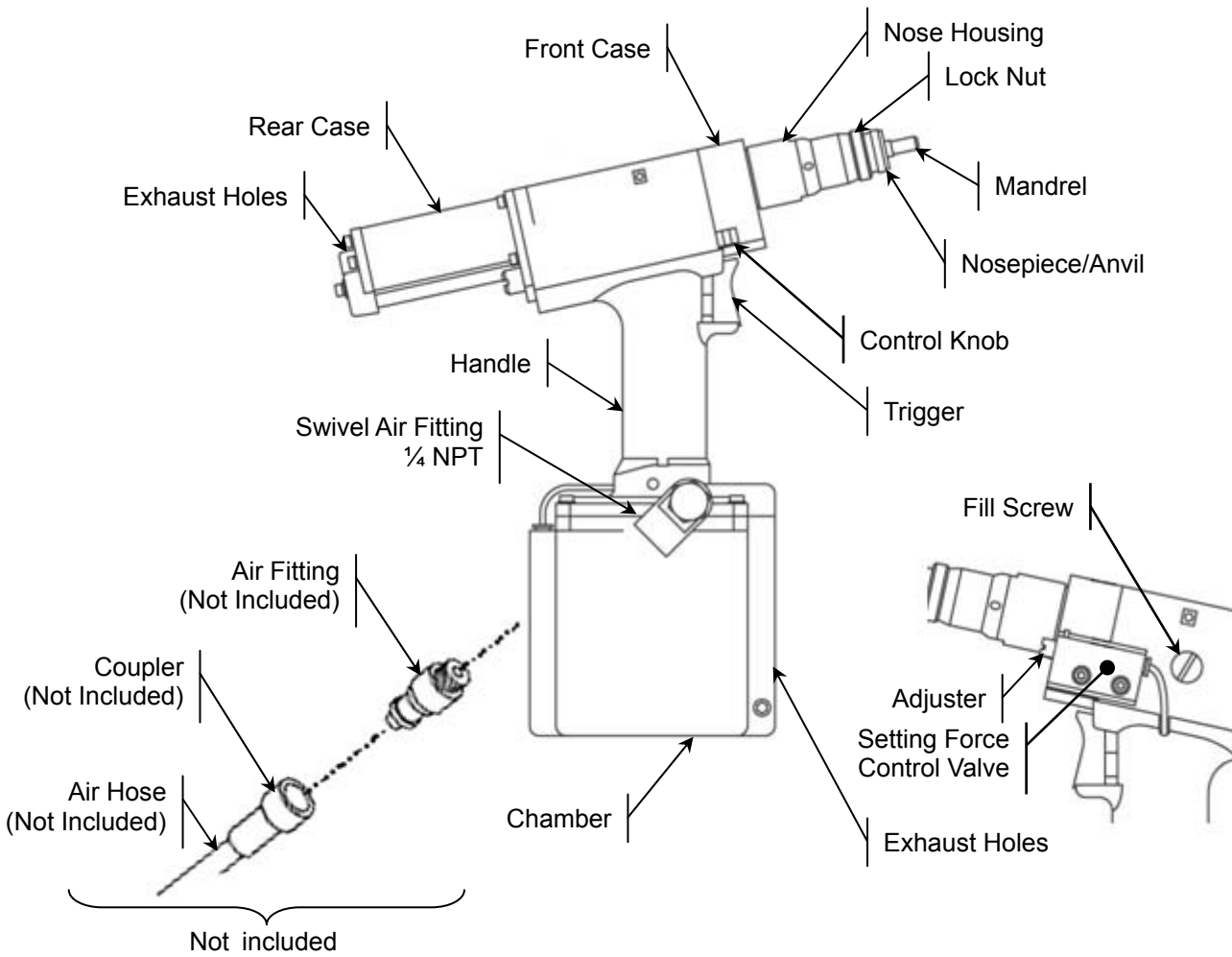


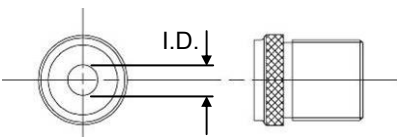

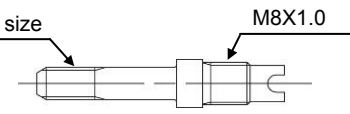
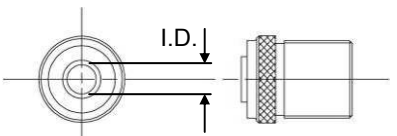

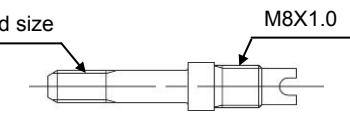
Figure 2: Tool Parts Diagram

Packaged Accessories

Table 4: Packaged Accessories

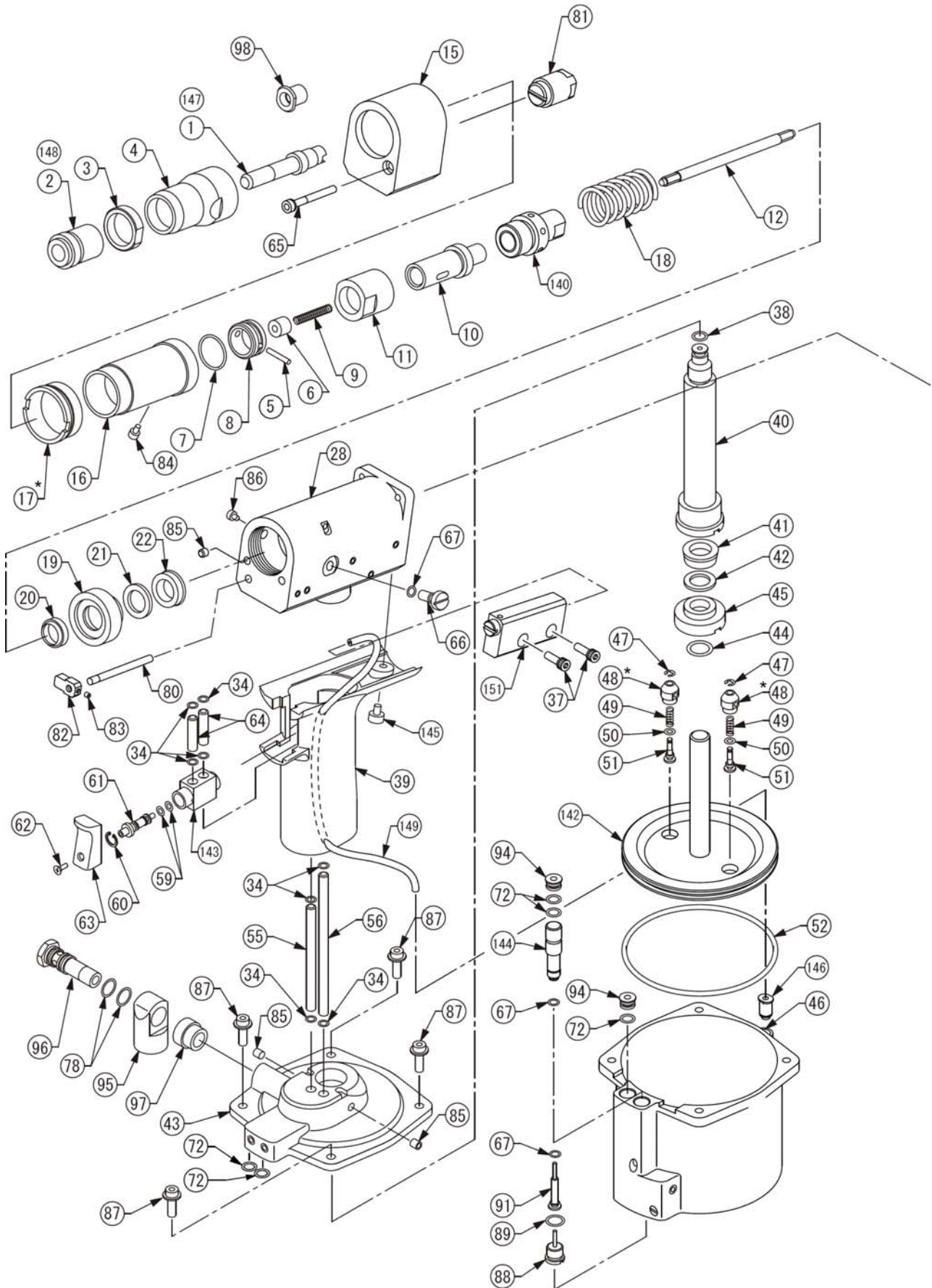
Part No.	Item	Qty
PNT1000L-PC-T	PNT1000L-PC POP NUT™ Tool	1
PNT600-132	Hook	1
PNT600-133	Hex wrench 1.5 mm	1
PNT600-136	Hex wrench 3 mm	1
DPN239-139	Hex wrench 4 mm	1
DPN907-006	Cap screw M4 X 20	1
DPN277-185	POP NUT™ Mandrel Release	1
FG2245	Operating Instructions	1
FG2268	Maintenance Manual	1
FG2222	Warranty Card	1

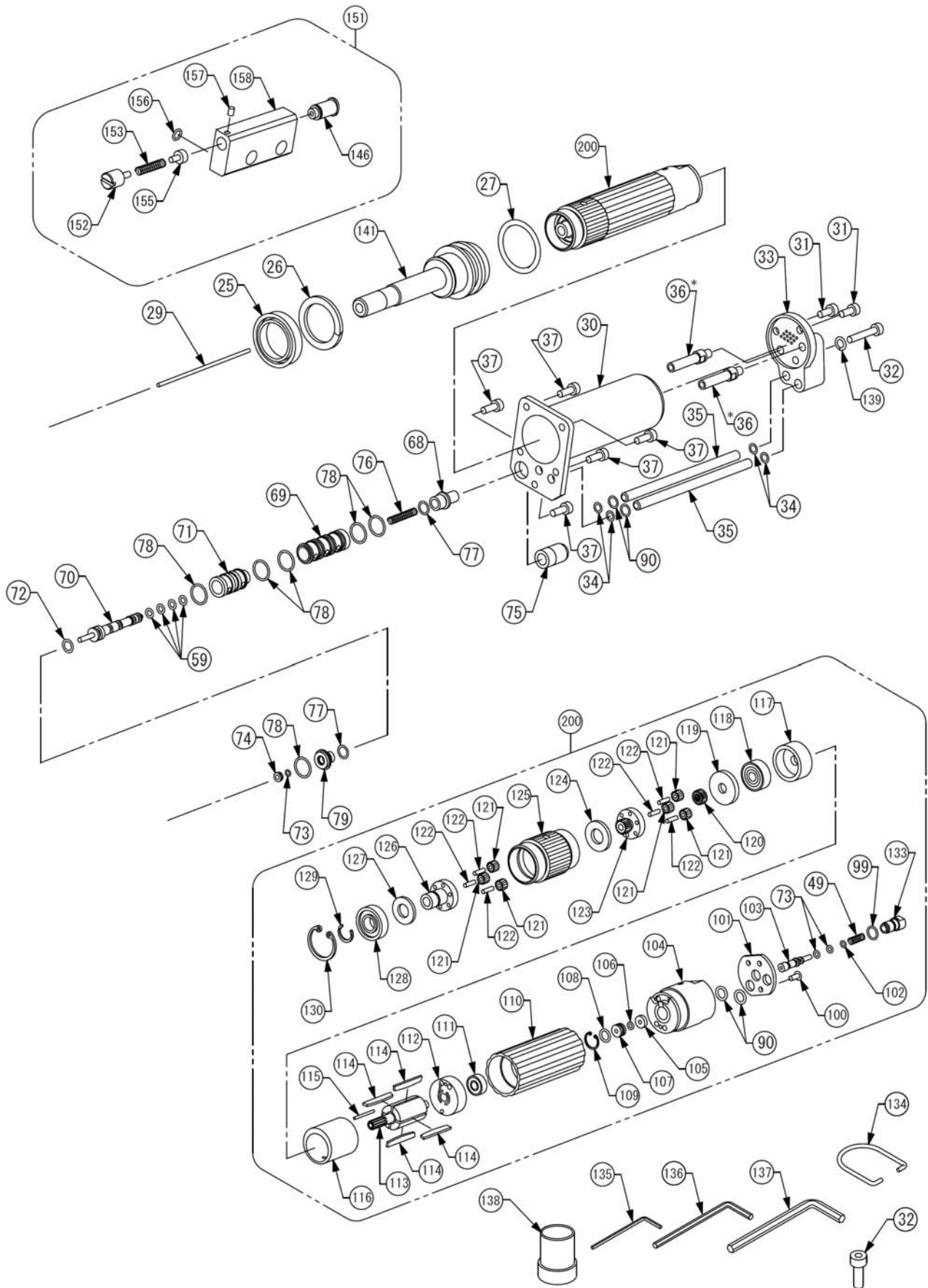
Table 5: Mandrel and Nosepiece requirements

Thick Wall (Std & ST) POP NUT Thread size	Flat Nosepiece		Mandrel Adapter	Mandrel	
					
	Part No.	I.D.	Part No.	Part No.	Thread size
M6X1.0	PNT1000-02-6	φ6.1	PNT1000-58	PNT600-01-6P	M6X1.0
M8X1.25	PNT1000-02-8	φ8.1		PNT600-01-8	M8X1.25
M10X1.5	PNT1000-02-10	φ10.1	-	PNT1000-01-10A	M10X1.5
M12X1.75	PNT1000-02-12	φ12.1		PNT1000-01-12A	M12X1.75
1/4-20	PNT1000-02-420	φ 6.5	PNT1000-58	PNT600-01-420	1/4-20
5/16-18	PNT1000-02-8	φ8.1		PNT600-01-518R	5/16-18
3/8-16	PNT1000-02-10	φ10.1	-	PNT1000-01-616R	3/8-16
1/2-13	PNT1000-02-813	φ12.8		PNT1000-01-813	1/2-13
Thin Wall (TK,TL,TH) POP NUT Thread size	Piloted Nosepiece		Mandrel Adapter	Mandrel	
					
	Part No.	I.D.	Part No.	Part No.	Thread size
M6X1.0	PNT1000-02-6P	φ6.1	PNT1000-58	PNT600-01-6P	M6X1.0
M8X1.25	PNT1000-02-8P	φ8.1		PNT600-01-8P	M8X1.25
M10X1.5	PNT1000-02-10P	φ10.1	-	PNT1000-01-10P	M10X1.5
M12X1.75	PNT1000-02-12P	φ12.1		PNT1000-01-12P	M12X1.75
1/4-20	PNT1000-02-420P	φ6.5	PNT1000-58	PNT600-01-420	1/4-20
5/16-18	PNT1000-02-8P	φ8.1		PNT600-01-518	5/16-18
3/8-16	PNT1000-02-10P	φ10.1	-	PNT1000-01-616	3/8-16
1/2-13	PNT1000-02-813P	φ12.8		PNT1000-01-813	1/2-13

* Refer to the *Tool Setup* section for details of Nosepiece and Mandrel installation.

PNT1000L-PC Diagram





Parts List

Item	Part No.	Description	Qty
1	PNT600-01-8	Mandrel M8	1
2	PNT1000-02-8	Nosepiece M8	1
3	PNT1000-03	Lock Nut	1
4	PNT1000-04	Nose Housing	1
5	PNT1000-05	Lock Pin	1
6	PNT1000-06	Lock Pin Pusher	1
7	DPN900-046	O-Ring	1
8	PNT1000-07	Lock Pin Holder	1
9	DPN901-013	Spring	1
10	PNT1000-08	Spin Pull Head	1
11	PNT1000-09	Spin Pull Head Case	1
12	PNT1000-10	Bit	1
15	DPN277-322	Front Case	1
16	PNT1000-14	Mast Housing	1
17	PNT1000-15	Housing Lock	1
18	DPN901-018	Return Spring	1
19	PNT1000-17	Rod Seal Receiver	1
20	DPN908-015	Scraper	1
21	DPN908-016	BU-Ring	1
22	DPN908-019	Rod Seal	1
25	DPN908-014	Piston Seal	1
26	DPN908-017	BU-Ring	1
27	DPN900-047	O-Ring	1
28	DPN277-187	Handle Upper	1
29	PNT600-20	Start Bar	1
30	PNT1000-21	Rear Case	1
31	DPN907-007	Socket Head Cap Screw	2
32	DPN907-006	Socket Head Cap Screw	1
33	PNT1000-22	End Cap	1
34	DPN900-048	O-Ring	12
35	PNT1000-23	HU/EC Tube	2
36	PNT1000-24A	End Cap Tube	2
37	DPN907-008	Socket Head Cap Screw	7
38	DPN900-049	O-Ring	1
39	DPN277-189	Handle	1
40	PNT1000-26A	Sleeve	1
41	DPN908-020	Rod Seal	1
42	DPN908-018	BU-Ring	1
43	DPN277-188	Handle Lower	1
44	DPN900-050	O-Ring	1
45	PNT1000-28	Ram Seal Receiver	1
46	DPN277-180	Chamber	1
47	DPN902-005	E Retaining Ring	2

Item	Part No.	Description	Qty
48	PNT600-74	EXT Valve Case	2
49	DPN901-012	Spring	2
50	DPN900-051	O-Ring	2
51	PNT600-77	EXT Valve Rod	2
52	DPN900-052	O-Ring	1
55	PNT1000-33	SV/HL Tube	1
56	PNT1000-34	HU/HL Tube	1
59	DPN900-053	O-Ring	6
60	DPN902-001	Retaining Ring	1
61	PNT1000-38	S Valve Rod	1
62	DPN277-071	Flat Head Cap Screw	1
63	DPN277-011	Trigger	1
64	PNT1000-39	SV/HU Tube	2
65	DPN907-012	Socket Head Cap Screw	1
66	DPN239-047	Fill Screw	1
67	DPN900-033	O-Ring	3
68	PNT1000-40A	T Valve Rear Case	1
69	PNT1000-41	T Valve Center Case	1
70	PNT1000-42	T Valve Rod	1
71	PNT1000-43	T Valve Front Case	1
72	DPN900-013	O-Ring	6
73	DPN900-014	O-Ring	1
74	PNT600-91	T Valve Front Piece	1
75	PNT1000-44	T Valve Lock	1
76	DPN901-014	Spring	1
77	DPN900-011	O-Ring	2
78	DPN900-017	O-Ring	8
79	PNT1000-45	T Valve Cap	1
80	DPN277-323	T Valve Push Rod	1
81	DPN277-304	Cylinder	1
82	DPN277-324	Control Knob	1
83	DPN905-004	Socket Set Screw	1
84	PNT1000-59	Socket Head Cap Screw	1
85	DPN905-005	Socket Set Screw	3
86	DPN907-005	Socket Head Cap Screw	1
87	DPN907-009	Flange Sock Hd Cap Screw	4
88	PNT1000-49A	Plug	1
89	DPN900-054	O-Ring	1
90	DPN900-006	O-Ring	2
91	PNT1000-50A	Valve Lower	1
94	PNT1000-54	Valve Stopper	2
95	PNT1000-55A	R Joint	1
96	PNT1000-56A	R Joint Adapter	1

Item	Part No.	Description	Qty
97	PNT1000-57	R Joint Spacer	1
98	PNT1000-58	Mandrel Adapter M6,M8	1
139	DPN277-184	Spring Lock Washer	1
140	PNT1000-11	Joint Assembly	1
141	PNT1000-18	Hydraulic Piston Assembly	1
142	FAN277-194	Air Piston Assembly	1
143	PNT1000-35	S Valve Assembly	1
144	FAN277-195	Valve Upper Assembly	1
145	PNT600-34	Truss Head Screw	1
146	DPN277-309	Fitting	1
149	DPN277-327	Air Tube	1
151	FAN277-311	Setting Force Control Valve	1set
146	DPN277-309	Fitting	1
152	DPN277-306	Adjuster	1
153	DPN901-023	Valve Spring	1
155	DPN277-305	Valve	1
156	DPN900-015	O-Ring	1
157	DPN905-006	Socket Set Screw	1
158	DPN277-307	Valve Case	1
200	PNT600-200	Air Motor	1set
49	DPN901-012	Spring	1
73	DPN900-014	O-Ring	2
90	DPN900-006	O-Ring	2
99	DPN900-042	O-Ring	1
100	DPN277-177	Flat Head Screw	1
101	PNT600-101A	Motor Case End Plate	1
102	DPN900-043	O-Ring	1
103	PNT600-103	M Valve Rod	1
104	PNT600-104	Motor Case End	1
105	PNT600-105	Washer	1
106	DPN900-044	O-Ring	1
107	PNT600-107	O-Ring Holder	1
108	DPN900-045	O-Ring	1
109	DPN902-002	Retaining Ring	1

Item	Part No.	Description	Qty
110	PNT600-110	Casing	1
111	PNT600-111	Ball Bearing	1
112	PNT600-112	Rear Plate	1
113	PNT600-113	Rotor	1
114	PNT600-114	Blade	4
115	PNT600-115	Spring Pin	1
116	PNT600-116	Cylinder	1
117	PNT600-117	Front Plate	1
118	PNT600-118	Ball Bearing	1
119	PNT600-119	Spacer	1
120	PNT600-120	Sun Gear	1
121	PNT600-121	Planet Gear	6
122	PNT600-122	Needle Pin	6
123	PNT600-123	Gear Cage & Gear	1
124	PNT600-124	Spacer	1
125	PNT600-125	Internal Gear	1
126	PNT600-127	Gear Cage	1
127	PNT600-128	Spacer	1
128	PNT600-129	Ball Bearing	1
129	DPN902-003	Retaining Ring	1
130	DPN902-004	Retaining Ring	1
133	PNT600-98B	M Valve End	1
Accessories			
32	DPN907-006	Socket Head Cap Screw	1
134	PNT600-132	Hook	1
135	PNT600-133	HS Screw Key, 1.5mm	1
136	PNT600-136	HS Screw Key, 3mm	1
137	DPN239-139	HS Screw Key, 4mm	1
138	DPN277-185	POP NUT Mandrel Release	1
147	PNT1000-01-10A	Mandrel, M10	1
148	PNT1000-02-10	Nosepiece, M10	1
*See Table 5 for additional Mandrels and Nosepieces			

Tool Setup

Initial Setup

1. Check that the correct Nosepiece and Mandrel are fitted for the POP NUT™. See the *Basic Tool Operation* section for proper tool adjustment.
2. Connect an air fitting to the Swivel Air Fitting of the tool. The Swivel Air Fitting is a 1/4 NPT thread.
3. Connect an Air Hose to the tool.
4. Connect an air filter, regulator and lubricator in the air line between the air supply and Air Hose connecting to the tool, within 3m [6 ft] of the tool.
5. Adjust the air pressure supply and oil drip volume of the lubricator
 - Air Pressure: 0.5-0.6 MPa. (72.5-87 psi)
 - Oil drip volume: 1-2 drops/ 20 nuts fastened

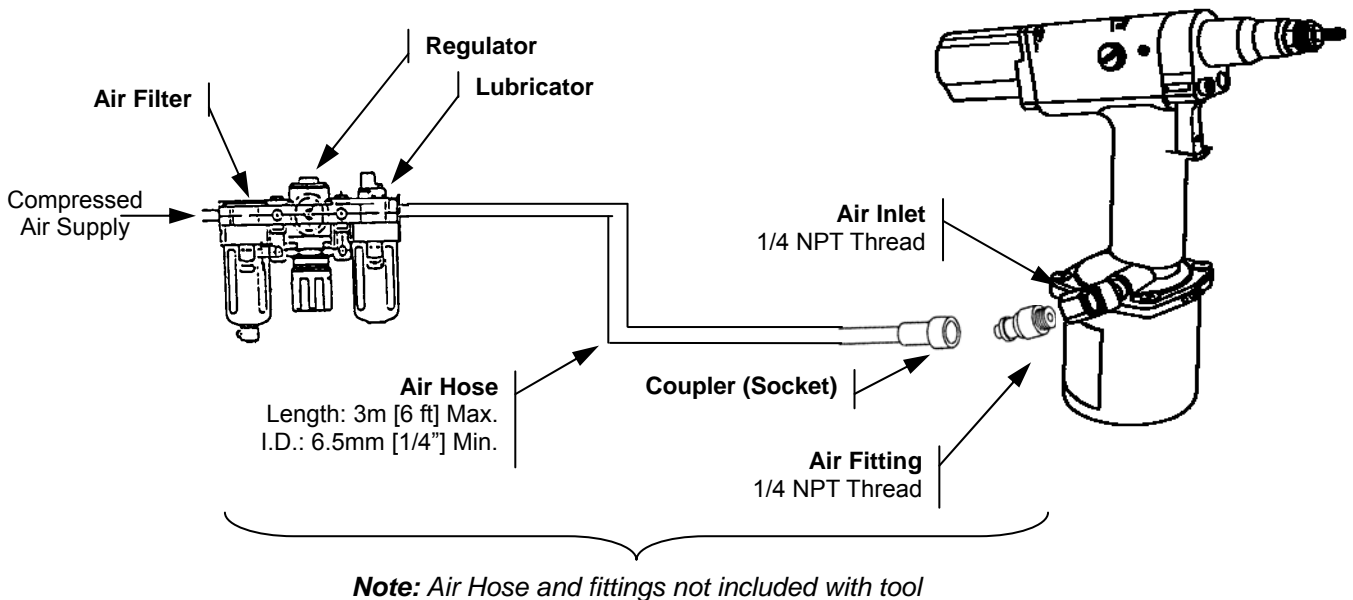


Figure 3: Tool Setup

Note: Refer to the instruction manual for the Lubricator used for the proper adjustment method and lubrication oils to use relating to air motors.



WARNING!

Use an air hose with a rating of 1.0 MPa (145 psi / 10 bar) or greater maximum ordinary operating pressure. Also make sure the hose material is suitable for the operating environment (i.e. oil proof, wear and abrasion resistance etc.). For details, refer to your hose manufacturer's catalog.

Mandrel and Nosepiece installation

Mandrel Installation (with POP NUT™ Mandrel Release, DPN277-185)

1. **Disconnect the Air Supply**
2. Select the correct Mandrel according to Table 5.
3. Remove the Nosepiece from the tool by loosening the Lock Nut and unscrewing it (Figure 4).
4. Insert the POP NUT™ Mandrel Release tool over the Mandrel and into the Nose Housing.
5. Push Mandrel Release into the tool in order to disengage the Lock Pin Holder from the Mandrel.
6. While holding the Mandrel Release in, unscrew the Mandrel by turning it counter-clockwise.
7. While holding the Mandrel Release in, screw in the desired Mandrel until it stops.
8. Release the Mandrel Release and rotate the Mandrel counter-clockwise to ensure the Lock Pin Holder has engaged the Mandrel.
9. Replace the Nosepiece.

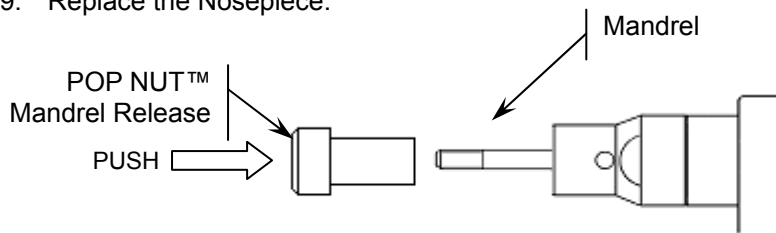


Figure 4: POP NUT™ Mandrel Release

Mandrel Installation (without POP NUT™ Mandrel Release, DPN277-185)

1. **Disconnect the Air Supply**
2. Select the correct Mandrel according to Table 5.
3. Remove the Nose Housing from the tool to expose the Mandrel and Spin Pull Head Case (Figure 5).
4. Pull the Lock Pin Holder back and unscrew the Mandrel by turning it counter-clockwise.
5. While holding the Lock Pin Holder back, screw in the desired mandrel until it stops.
6. Release the Lock Pin Holder.
Note: If the Lock Pin Holder does not return to its original position then turn the Mandrel counter-clockwise to ensure the Lock Pin engages the Mandrel and the holder moves forward.
7. Replace the Nose Housing.

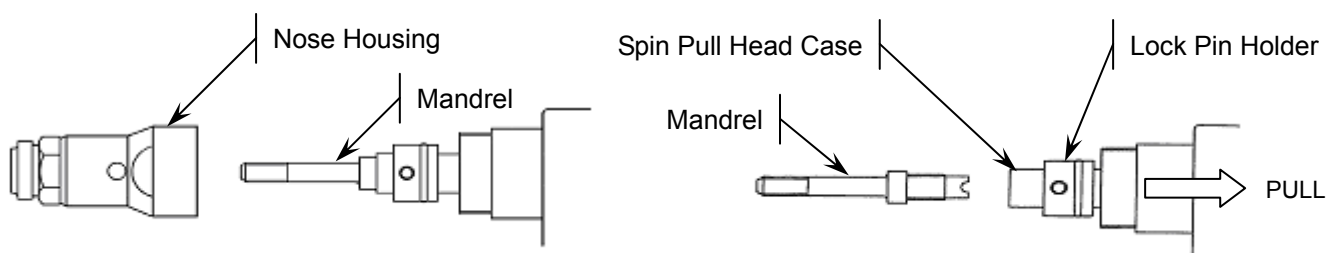


Figure 5: Mandrel Installation

Nosepiece Installation

1. Disconnect the Air Supply
2. Select the correct Nosepiece according to Table 5.
3. Remove the current Nosepiece from the tool by loosening the Lock Nut and unscrewing it.
4. Remove the Lock Nut from the Nosepiece
5. Thread the Lock Nut onto the desired Nosepiece
6. Screw the Nosepiece into the Nose Housing
7. Lock it in place by tightening the Lock Nut against the Nose Housing (Refer to the *Mandrel & Nosepiece Adjustment* in the Basic Tool Operation section for adjustment).

Basic Tool Operation

Before setting POP NUTs™ with this tool, refer to the Safety Instructions and Tool Setup sections of this manual to ensure safe and reliable tool operation.

Mandrel & Nosepiece Adjustment

1. Verify that the correct Mandrel and Nosepiece are fitted to the tool for the desired POP NUT™ (See *Mandrel and Nosepiece Requirements* table in the Specifications section).

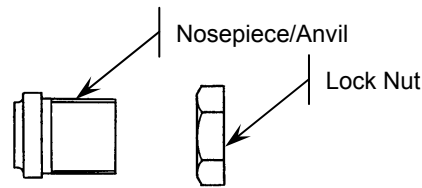


Figure 6: Nosepiece and Lock Nut

2. Loosen the lock nut on the tool and thread the Nosepiece all the way into the Nose Housing.
3. Thread the desired POP NUT™ onto the tool.

Open End POP NUTs™

- a. Thread the insert onto the mandrel until the Mandrel extends beyond the insert by approximately 1 full thread
- b. Unthread the Nosepiece until it is touching the flange of the insert
- c. Tighten the lock nut against the Nose Housing.

Closed End POP NUTs™

- a. Thread the insert onto the mandrel until it stops
- b. Unthread the insert on full turn (one thread pitch)
- c. Unthread the Nosepiece until it is touching the flange of the insert
- d. Tighten the lock nut against the Nose Housing.

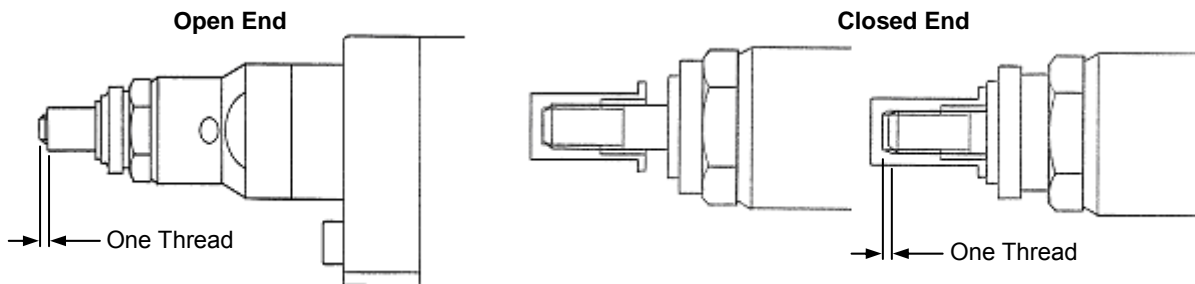


Figure 7: Proper Mandrel and Nosepiece adjustment

Setting Force Valve Spring Selection

- There is one type of spring used with the PNT1000L-PC tool that covers the range of inserts indicated.
- Review the table below Valve Spring part number.

Table 6: Setting Force Valve Spring for Standard & Thick Wall inserts

	Thread Size	Material			
		Aluminum	Steel	RLT	Stainless
Thick Wall (Std & ST)	M6 1/4-20	-	DPN901-023	DPN901-023	DPN901-023
	M8 5/16-18	DPN901-023	DPN901-023	DPN901-023	DPN901-023
	M10 3/8-16	DPN901-023	DPN901-023	-	DPN901-023*
	M12 1/2-13	-	DPN901-023	-	-

* Need to set tool at 0.55Mpa Minimum.

Table 7: Setting Force Valve Spring for Thin Wall inserts (TK, TL, TH)

	Thread Size	Steel
Thin Wall (TK, TL, TH)	M6 1/4-20	DPN901-023
	M8 5/16-18	DPN901-023
	M10 3/8-16	DPN901-023
	M12 1/2-13	DPN901-023

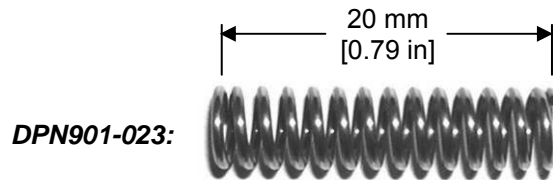


Figure 8: Valve Spring

Tool Operation

Loading the POP NUT™ onto the tool

1. Connect the air supply to the tool.
2. Thread the insert 1/4 turn onto the Mandrel.
3. Press the insert against the Mandrel as indicated and the Mandrel will spin, automatically threading the insert onto the Mandrel.
4. Keep pushing the insert onto the Mandrel until the Mandrel stops spinning. If the insert is not fully threaded, the setting stroke will be shortened by the gap between the head of the insert and the Nosepiece.

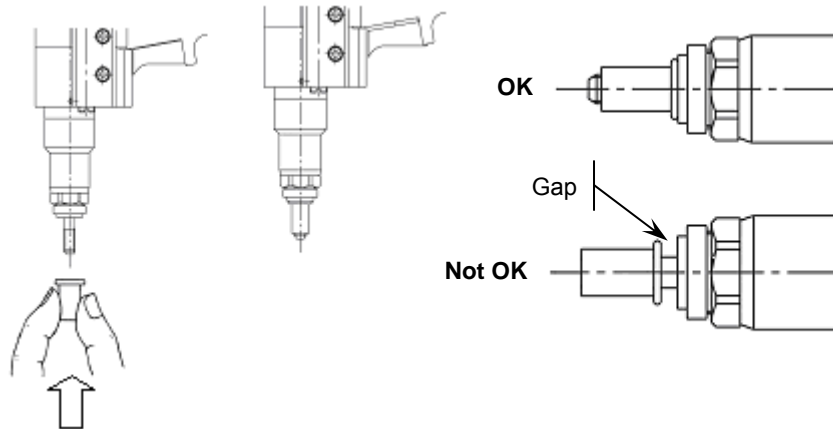


Figure 9: Loading the POP NUT™ onto tool

Installing the POP NUT™ into the work piece

1. With the POP NUT™ mounted on the Mandrel, insert it perpendicularly into the hole of the work piece
2. Pull the trigger and hold it to install the insert
3. Keep trigger depressed until the Mandrel reverses direction and completely unthreads the Mandrel from the insert.
4. Lightly pull the tool away from the work piece as Mandrel is reversing to disengage it from the insert.
5. Once the tool is disengaged from the insert, release the trigger.*

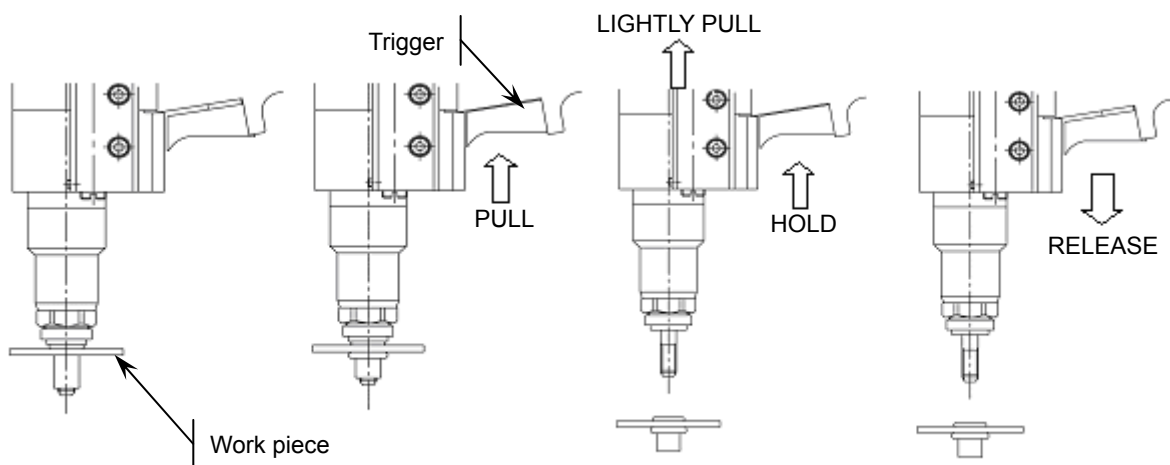


Figure 10: Setting the POP NUT™

Note:

- Fit the flange of the insert flat against the work piece.
- Do not tilt the tool. The tool must be perpendicular to the work piece.

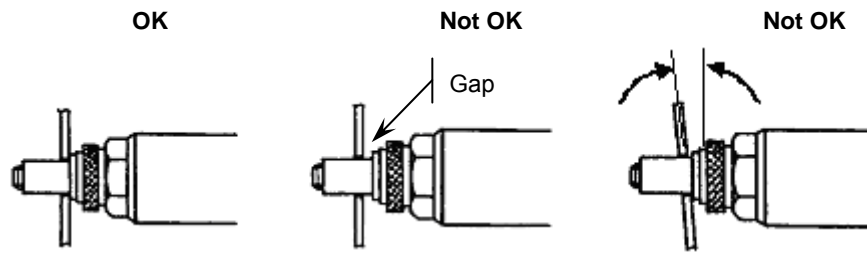


Figure 11: Proper insertion of POP NUT™ threaded inserts into an application

****Disengaging the tool from the insert***

⚠ WARNING!

If you let go of the trigger during the installation sequence, the insert may not set completely, the hydraulics will reset and the tool will not automatically unthread from the insert.

DO NOT pull the trigger again, follow the steps below to disengage the insert.

To disengage the tool from the insert and application:

1. Depress and hold the Control Knob
2. While holding the Control Knob, press and hold the trigger. This will cause the Mandrel to spin counter-clockwise and unthread the insert.
3. When fully unthreaded, release the trigger.

To disengage the tool from the insert and work piece if the Mandrel is stuck:

1. Disconnect the air supply
2. Thread the M4 x20 Cap screw provided with the tool, into the hole in the side of the Nose Housing. Thread the Cap screw in until it fits snugly against the inner Spin Pull Head, locking the rotation of the Mandrel to the tool.
3. Turn the body of the tool counter-clockwise to detach it from the insert.

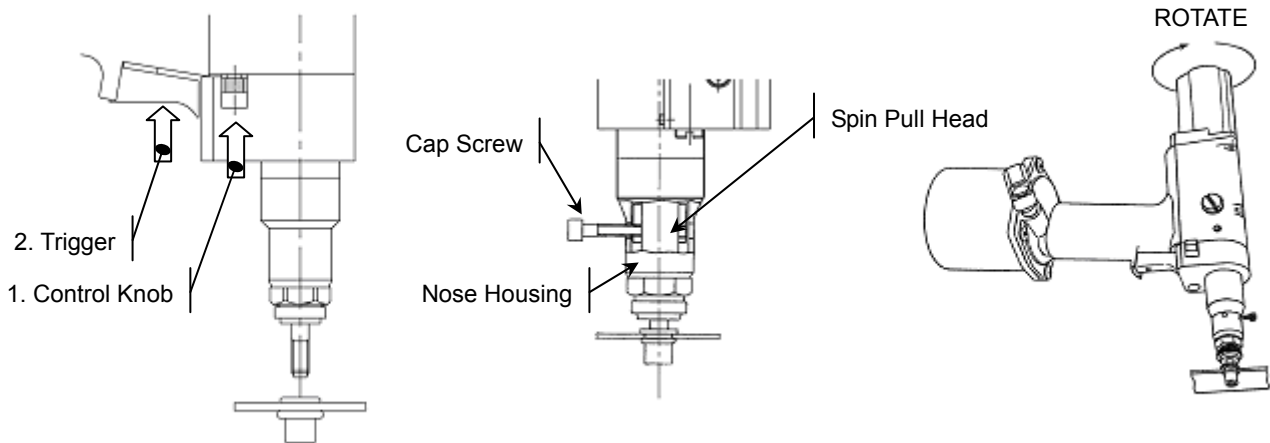


Figure 12: Disengaging the tool from the insert

Setting Force Adjustment

- Verify the proper Valve Spring is selected – See “*Setting Force Valve Spring Selection*”
- Adjust the setting force of the tool according to insert size and thickness of work piece as indicated in the instructions below.
- Test 5 pieces before beginning production work to ensure proper setting of the POP NUT™.
- Proper setting force is critical:
 - Low setting Force results in insufficient stroke and clamping of the insert, leading to a Spin Out failure in the application
 - High setting force results in excess stroke and possible insert threads stripping and Mandrel damage

Adjustment for Standard POP NUTs™

Use the following procedure to determine the proper setting requirements for the **SPH, SFH, APH, AFH, SPS, SFS, APS, AFS & SRH Series** of POP NUTs™:

1. Determine minimum stroke, “ S^{Min} ”, from the appropriate formula in the table for the POP NUT™ being used.
2. Set the insert in a test piece with the proper thickness
3. Measure the value of S^{Min} and compare to the formula result.

Table 8: Stroke Formula for Standard POP NUTs™

Thread Size	Stroke (S^{Min}) Formula
M6X1.0	$2.4+(N-t)-0.4$
M8X1.25 RLT	$2.4+(N-t)-0.4$
M8X1.25	$2.8+(N-t)-0.4$
M10X1.5	$3.0+(N-t)-0.4$
M12X1.75	$3.2+(N-t)-0.4$

Example: *SPH625* POP NUT™ with a 1.5mm thick work piece

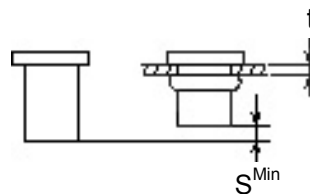
$$t = \text{Workpiece thickness}, \quad N = \frac{1}{10} \text{value of last 2 digits of POP Nut number}$$

$$t = 1.5\text{mm}, \quad N = \frac{1}{10}(25) = 2.5$$

$$S^{Min} = 2.4 + (N - t) - 0.4$$

$$S^{Min} = 2.4 + (2.5 - 1.5) - 0.4$$

$$S^{Min} = 3\text{mm}$$



IF...	THEN...
$S^{Min} \text{ (Measured)} < S^{Min} \text{ (Formula)}$	Increase setting force – See “ <i>Adjustment of Setting Force</i> ”
$S^{Min} \text{ (Measured)} > S^{Min} \text{ (Formula)}$	Check POP Nut threads for damage or sticking to Mandrel for 5 test pieces <ul style="list-style-type: none"> • If okay, setup of tool is complete • If damaged, Decrease setting load - See “<i>Adjustment of Setting Force</i>”

Adjustment for ST & Thin Wall POP NUTs™

Use the following procedure to determine the proper setting requirements for the ST, TK, TL, TH Series of POP NUTs™:

1. Determine the Installed Length, "IL" of the POP NUT™ being used. This information can be found in the Emhart POP NUT™ Blind Rivet Nut catalog.
2. Set the insert in a test piece with the proper thickness
3. Measure the IL value after insertion and compare to the desired value

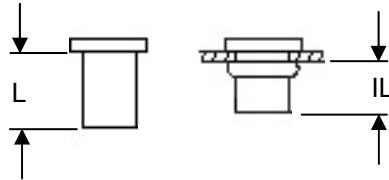


Figure 13: "IL" Measurement

IF...	THEN...
$IL_{(Measured)} > IL_{(Desired)}$	Increase setting force – See "Adjustment of Setting Force"
$IL_{(Measured)} < IL_{(Desired)}$	Check POP Nut threads for damage or sticking to Mandrel for 5 test pieces <ul style="list-style-type: none"> • If okay, setup of tool is complete • If damaged, Decrease setting load - See "Adjustment of Setting Force"

Adjustment of Setting Force

The following is the procedure for adjusting the Setting Force:

1. Loosen Socket Set Screw on Setting Force Control Valve.
2. Turn the Adjuster using a flat blade screwdriver as needed.
 - a. Adjust Setting force by 1/4 turn increments to prevent stripping or damaging of insert threads.
3. Tighten Socket Set Screw on Setting Force Control Valve.

DESIRED EFFECT	ACTION
Increase Setting Force (Increases Stroke)	Rotate Adjuster Clockwise
Decrease Setting Force (Decreases Stroke)	Rotate Adjuster Counter-Clockwise

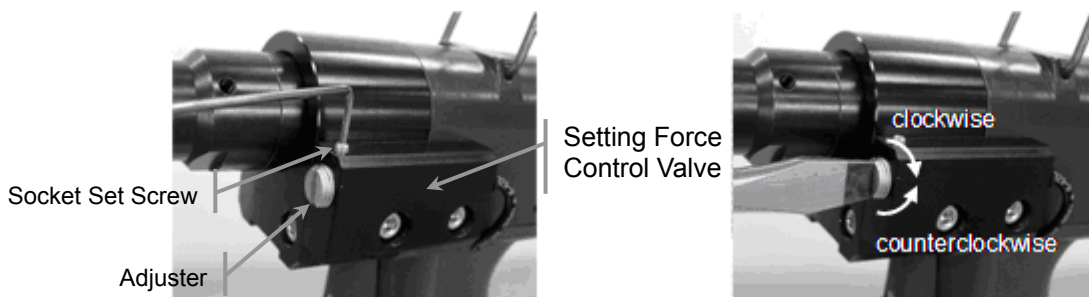


Figure 14: Adjustment of Setting Force

Note:

- The stroke may increase or decrease due to changes in air pressure [~ 0.1 mm (0.004 in) per 0.1 MPa (15 psi)]
- **Multiple work piece thicknesses**
 - When using the POP NUT™ tool to set the same insert in multiple work piece thicknesses, adjust the setting force to accommodate the thinnest work piece.



WARNING!

Adjust Fastening Load Control Valve by 1/4 rotations.

If the Adjuster is rotated clockwise by a large amount to increase the setting force it may cause stripping or sticking of Mandrel and/or POP NUT™ threads.

Maintenance

Table 9: Maintenance Schedule

Item	Frequency	Details
Lubricate Air	1-2 drops/20 sets	<ul style="list-style-type: none"> • See "Tool Setup" • Lubricates internal seals and Air Motor
Clean & Lube Mandrel	50 sets	<ul style="list-style-type: none"> • Replace if worn/damaged • Prevents insert damage or jamming.
Inspect Nosepiece	50 sets	<ul style="list-style-type: none"> • Replace if worn/damaged • Prevents insert damage or jamming.
Lubricate rotating parts.	1000 sets	<ul style="list-style-type: none"> • Prevents loss of Mandrel rotation force.
Inspect Control Nut, T Valve Push Rod.	Mandrel breakage	<ul style="list-style-type: none"> • Replace if bent or broken
Recharge hydraulics	Loss of Stroke	<ul style="list-style-type: none"> • See "Recharging Hydraulics"

Clean & Lube Mandrel

- Clean and Lube the Mandrel every 50 sets.
 - Over time, debris can stick to the Mandrel reducing its lubrication making it difficult to mount POP NUTs™ or causing premature wear or jams.
 - Lube the Mandrel with 1 drop of oil. Use the same oil that is used with the Air Lubricator or an ISO VG 32 type oil.

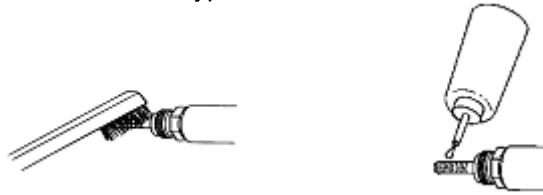


Figure 15: Clean and Lube Mandrel

Lubricate Rotating Parts

- Lubricate the Spin Pull Head and Spin Pull Head Case after approximately every 1000 sets.
 - Lack of lubrication will cause increase internal friction causing premature wear and reducing the Mandrel rotation speed and torque

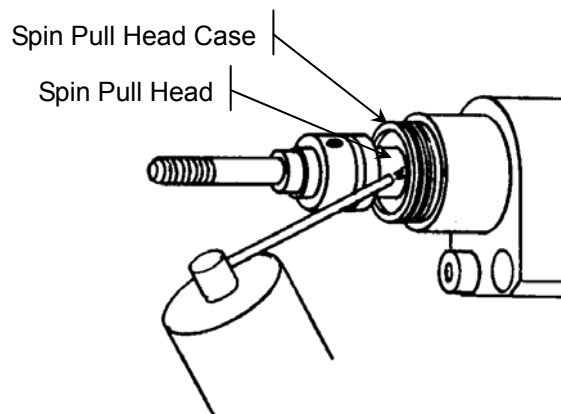


Figure 16: Lubricating the Spin Pull Head

Recharging Hydraulics

- If the stroke gets too short and the tool is unable to properly set an insert the Hydraulic Oil may need to be recharged.
Note: If the stroke is still inadequate after recharging, the Hydraulic Seals may need to be replaced. Contact your local distributor for tool repair.

Recharging Procedure

1. Disconnect the air supply
2. Remove Air Tube from the fitting in the Chamber
3. Remove the four (4) truss head machine screws attaching the Chamber to the Handle Lower
4. Turn the tool upside down and slowly remove the Chamber from the tool
5. Remove the Air Piston Assembly and the Tube

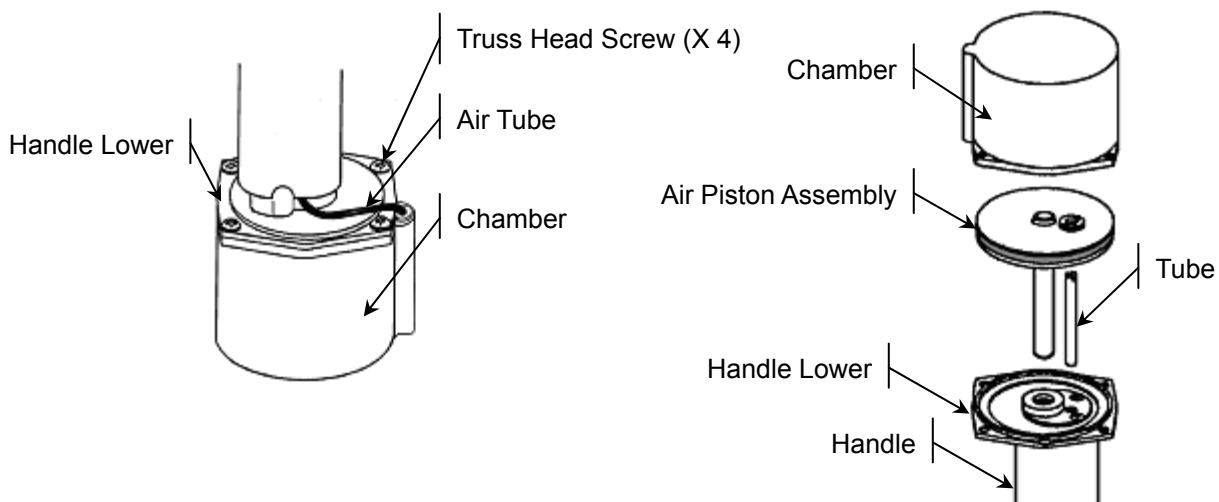


Figure 17: Removing the Chamber and Air Piston Assembly

6. Dispose of the old hydraulic oil in a proper waste oil container
7. Pour the new hydraulic oil into the bore of the handle until the oil is level with the Back-up Ring
Note: Use only Emhart approved Hydraulic Oils – See Table 3, “Specified Hydraulic Oils”

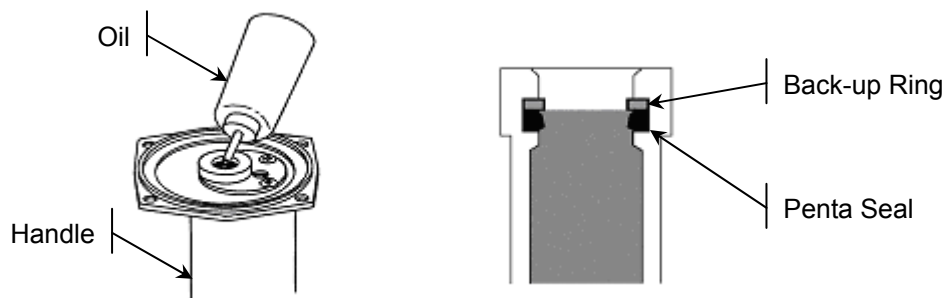


Figure 18: Re-filling Hydraulic Oil

8. Replace the Air Piston Assembly and push it into the Handle slowly, 5 times, and then remove it
9. Check to see if the oil level has fallen or if there are air bubbles present in the oil
10. If the oil level has dropped or air bubbles are present, repeat steps 7 thru 9

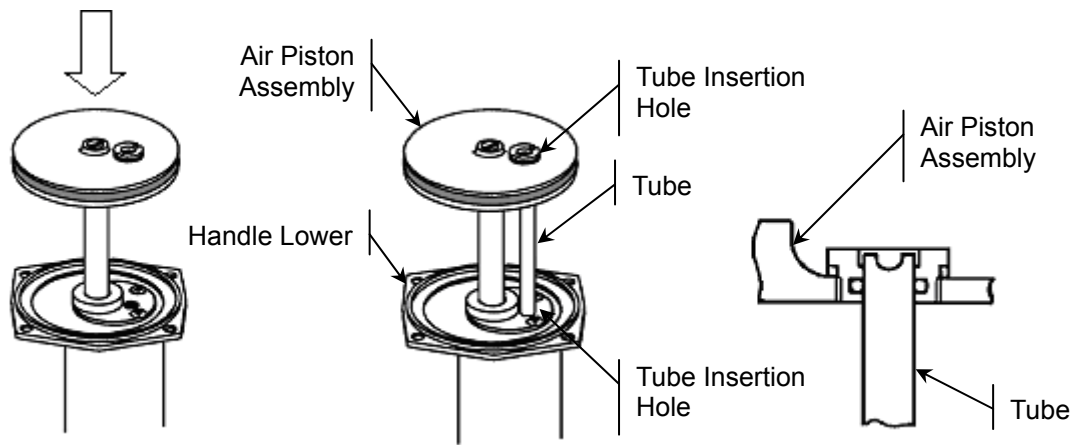


Figure 19: Recharging and purging air bubbles

11. After replacement of the hydraulic oil, line up the Air Piston Assembly and the Tube Insertion Hole in the Handle Lower and push the Tube into place.
12. Pass the Tube into the tube insertion holes in the Air Piston Assembly and the Handle Lower
13. Replace the Chamber and the four (4) truss head machine screws and tighten
14. Place the tool on its side so that the Fill Screw is uppermost.
15. Use a flat bladed screwdriver to unscrew the fill screw to let any excess oil and air (bubbles) escape.
16. Once the hydraulic oil stops coming out, tighten the Fill Screw

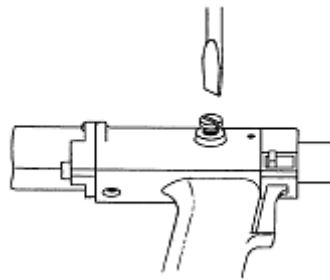


Figure 20: Purging excess oil

Troubleshooting

If you are unable to fix the tool after reviewing this manual and the troubleshooting section, contact your distributor or Emhart Technologies for repair.

Problem	Cause	Action	Section
Cannot thread the POP NUT™ onto Mandrel	Incorrect Mandrel and Nosepiece	Change to the correct parts for the POP Nut you are using.	Specifications, Table 5
	Mandrel threads are damaged.	Replace the Mandrel	Tool Setup,
	Metal chip are jammed in Mandrel's threads.	Clean and lube the Mandrel	Maintenance
No forward or reverse rotation of the Mandrel. (Slow rotation)	Low air pressure.	Adjust the air supply to the correct pressure range	Tool Setup
	Insufficient Lubricant.	Adjust the Lubricator drip rate.	Tool Setup
	Insufficient Lubricant in the rotating parts.	Lubricate the rotating parts	Maintenance
	After installation, the tool is still threaded into the insert and work piece	Disengage the tool from the workpiece using the Control Knob	Tool Operation
The Mandrel cannot unthread from the insert	The insert threads have been damaged due to high setting force	Disengage the tool from the work piece Adjust the setting force correctly	Tool Operation Setting Force Adjustment
	Mandrel threads are damaged.	Replace the Mandrel	Tool Setup, Mandrel and Nosepiece installation
Unthreading sequence stopped during automatic reverse	Trigger was released while detaching the tool (before unthreading was complete)	Disengage the tool from the workpiece using the Control Knob	Tool Operation, <i>Disengaging the tool from the insert</i>
		Review the proper operating procedure	Basic Tool Operation
The insert is not fully set, stroke is incomplete	Low air pressure.	Adjust the air supply to the correct pressure range	Tool Setup
	Too little hydraulic oil.	Recharge the hydraulic oil	Maintenance
The tool automatically reverse rotates	T-Valve assembly is stuck in back position due to lack of lube	Lube air inlet, cycle tool trigger and push T-Valve Push Rod in and out	Maintenance
The tool does not reverse rotate automatically	Low air pressure	Adjust the air supply to the correct pressure range	Tool Setup
	Too little hydraulic oil or air is mixed in hydraulic oil.	Recharge and bleed the hydraulic oil	Maintenance
The Mandrel is damaged, and/or broken	Life of the Mandrel	Replace the Mandrel	Tool Setup,
	The setting force is excessive	Adjust the setting force correctly	Setting Force Adjustment
		Replace the damaged parts	Tool Setup

Problem	Cause	Action	Section
	Tool is not perpendicular to the work piece during installation	Review the proper operating procedure Replace the damaged parts	Basic Tool Operation Tool Setup, Mandrel and Nosepiece installation
Tool cannot be adjusted to achieve a proper installation	Too little hydraulic oil	Recharge the hydraulic oil	Maintenance
Mandrel rotates clockwise as soon as air is supplied to tool and does not stop	M-Valve Rod (#103) at back of Air Motor is stuck	Remove Rear Case (#30) and inspect M Valve End (#133) and M Valve Rod (#103)	PNT1000L-PC Diagram