

HUCK® INTERACTIVE CD ROM : SPECIFICATIONS

202V

202V

Pneudraulic Installation Tool

Specifications

Weight:

2.31 kg (5.1 lbs)

Required Air Pressure:

5.5 -6.9 bar (80-100 psi)

Air Consumption:

8.6 CFM (244 l/min) based on
30 cycles per minute

Stroke:

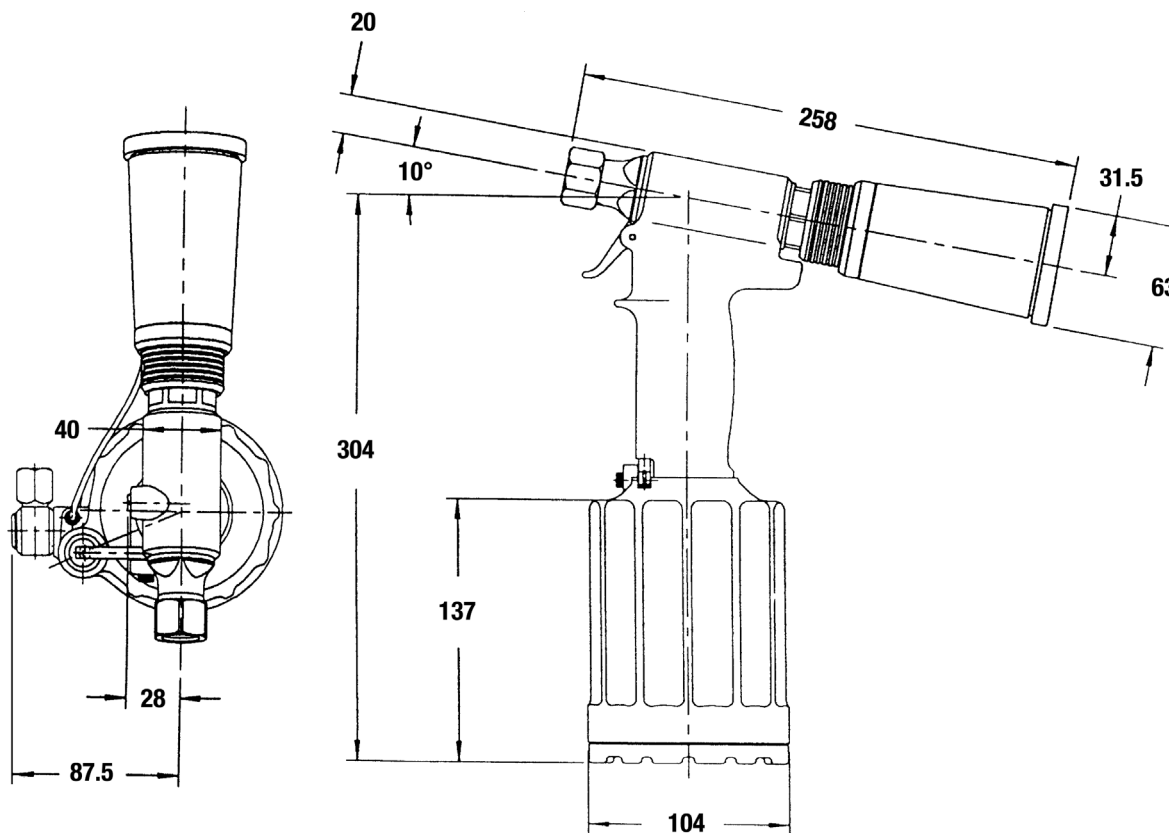
18.9 mm (0.743")

Hydraulic Fluid:

Automatic Transmission Fluid
DEXTRON II® or equivalent

Capacity:

17.3 kN @ 6.21 bar
(3889 lbs @ 90 psi)



HUCK® INTERACTIVE CD ROM : NOSE ASSEMBLY TABLE

202V

Some Fastener and Nose Assemblies for use with the 202V Tool

Type	Diameter	Nose Assembly
MAGNA-LOK	4.8 mm (3/16")	99-3300, 99-3303 99-3304
	6.4 mm (1/4")	99-3301, 99-3305 99-3306, 99-3478 (H'Duty)
MAGNA-BULB	4.8 mm (3/16")	99-3300, 99-3303 99-3304
	6.4 mm (1/4")	99-3301, 99-3305 99-3306, 99-3478 (H'Duty)
AUTO-BULB	4.8 mm (3/16")	99-3300, 99-3303 99-3304
	6.4 mm (1/4")	99-3301, 99-3305 99-3306, 99-3478 (H'Duty)
MAGNA-TITE	4.8 mm (3/16")	99-3487-6MT
	6.4 mm (1/4")	99-3487-8MT
HUCKLOK	6.4 mm (1/4")	99-3301, 99-3305 99-3306, 99-3478 (H'Duty)

Items in **bold** are part of our FOCUS Tooling Range